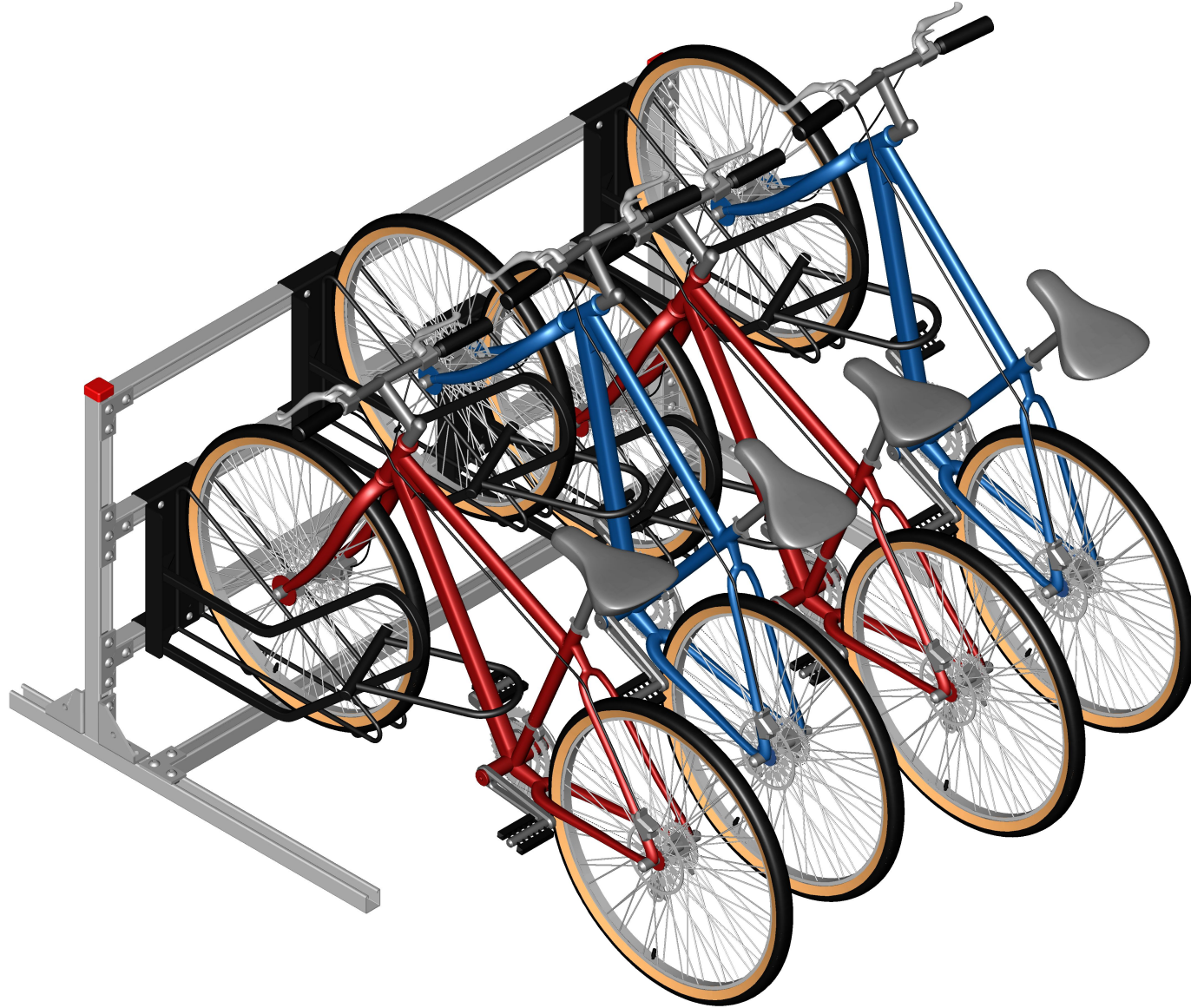
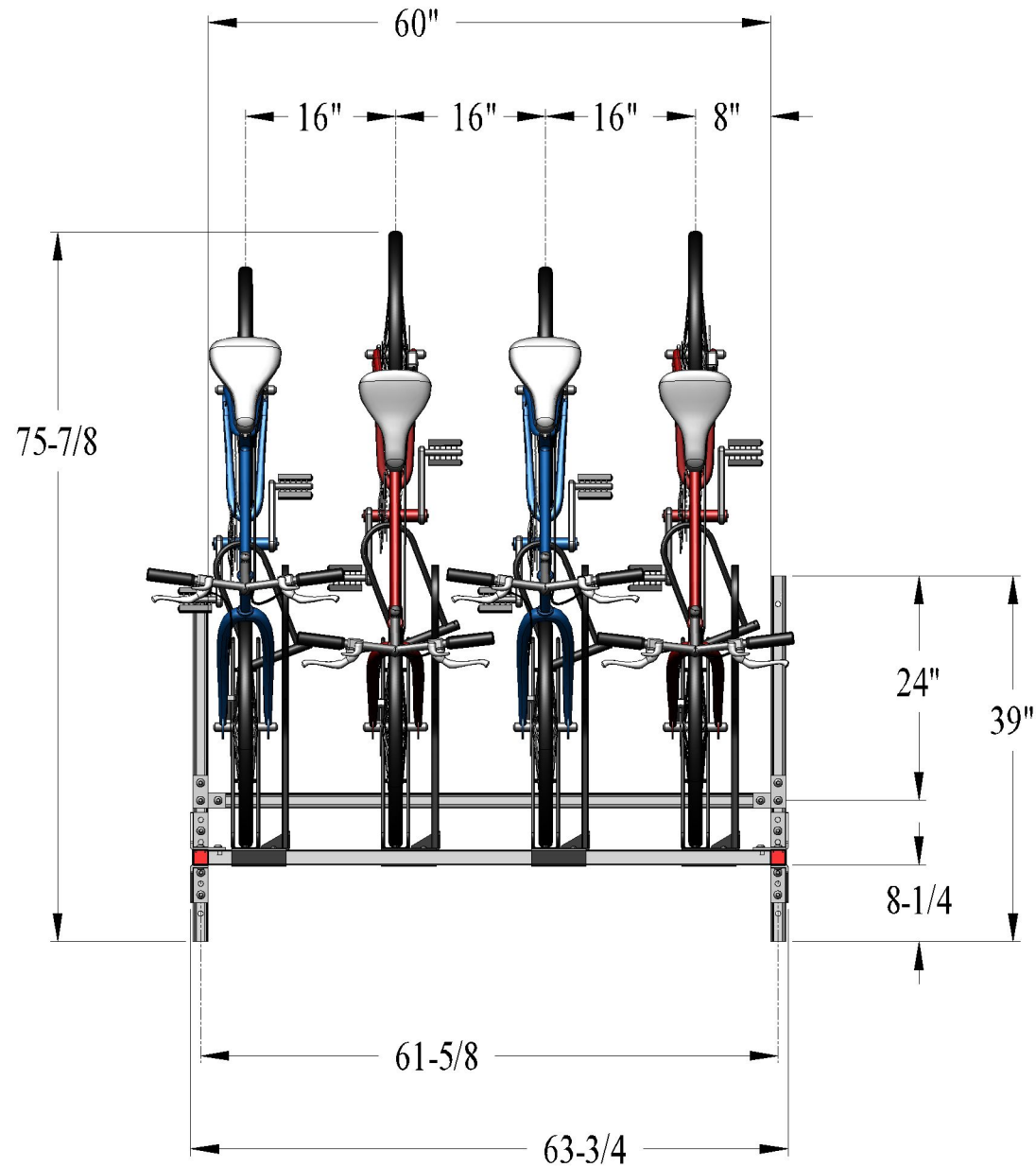


Part #17493



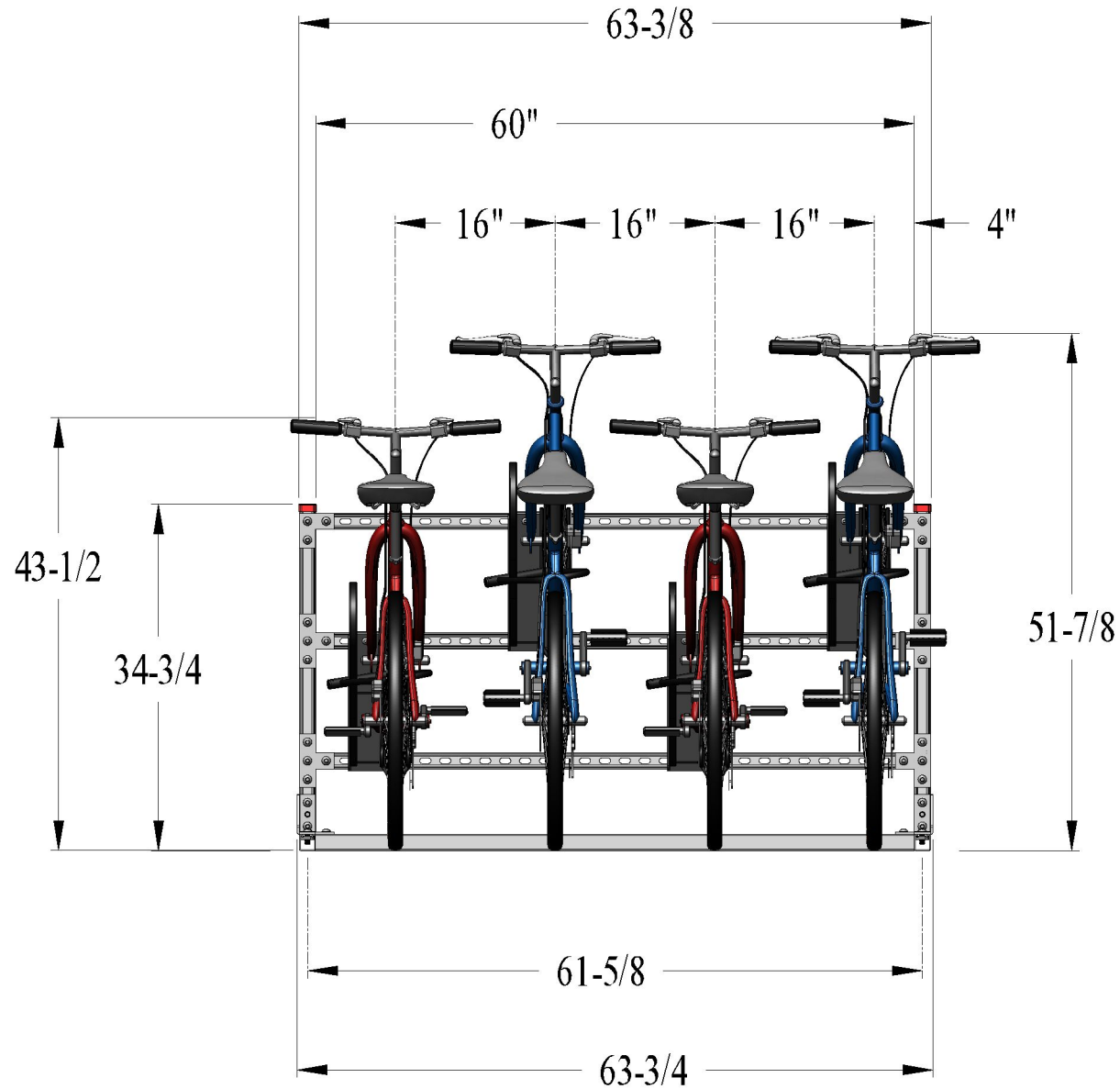
Bike Stall {4-Bike} U-Strut  
Strut Base {Straight} Master {Iso}

Part #17493



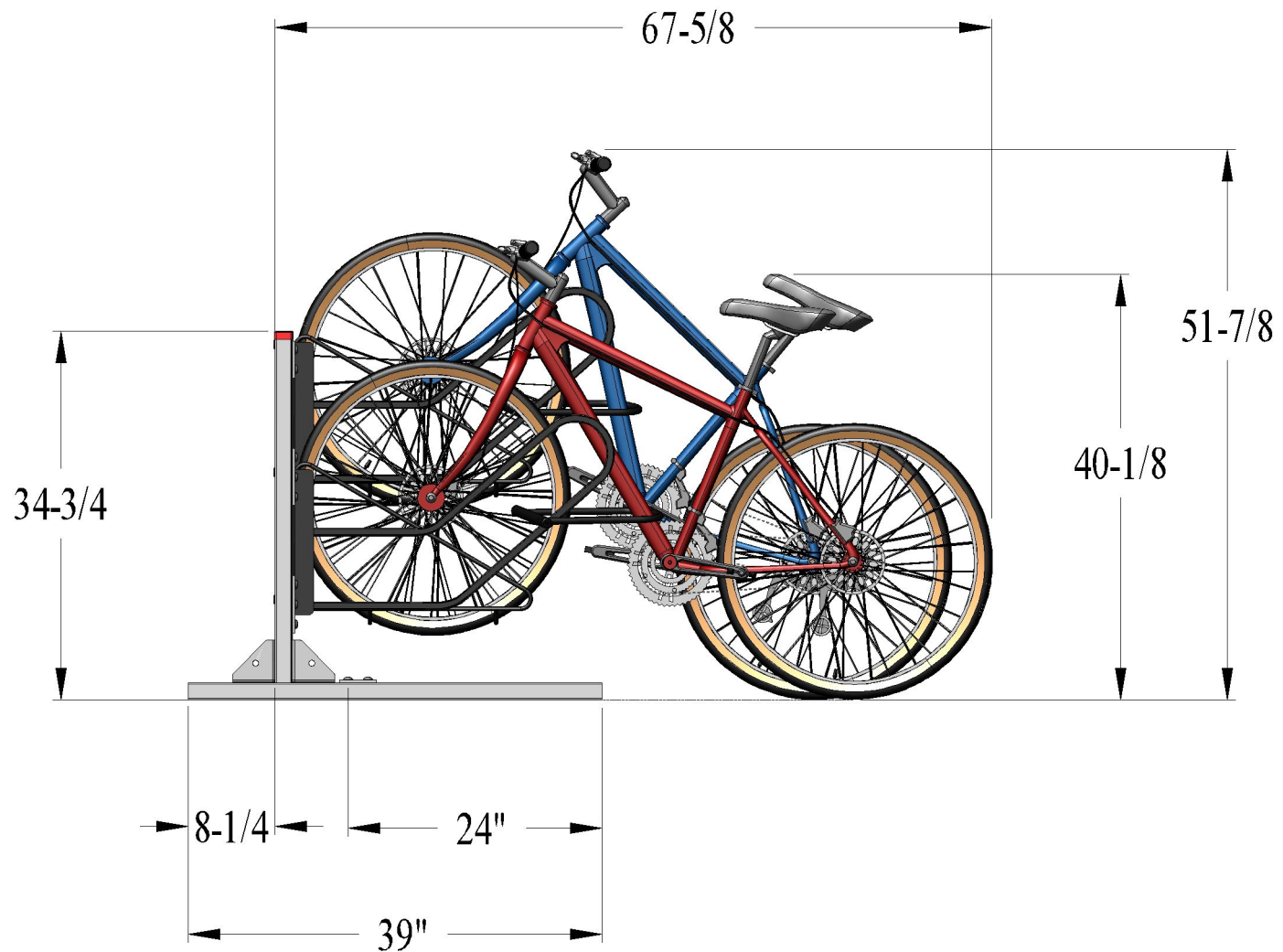
Bike Stall {4-Bike} U-Strut  
Strut Base {Straight} Master {Top} Dim's

Part #17493



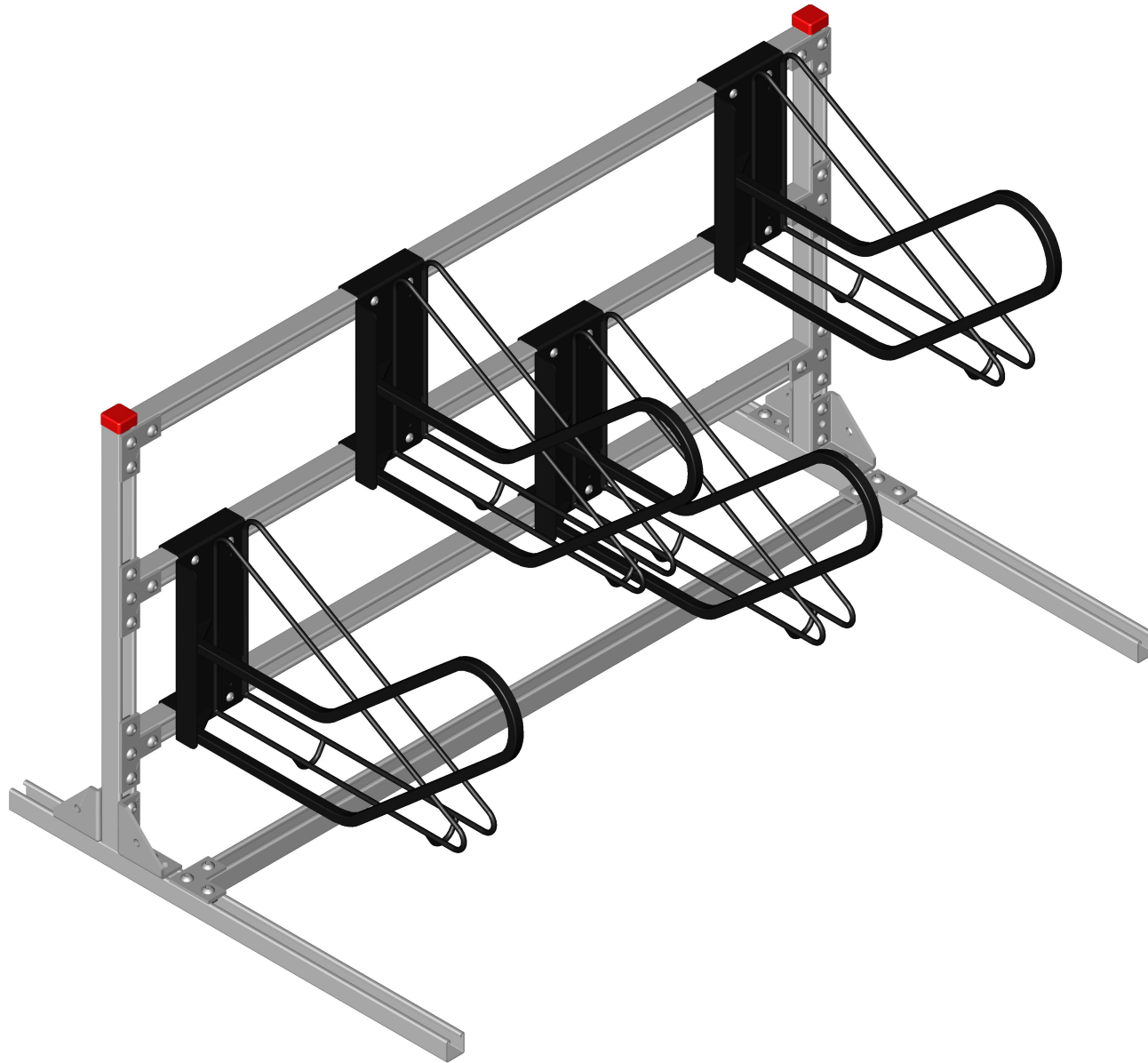
Bike Stall {4-Bike} U-Strut  
Strut Base {Straight} Master {Front} Dim's

Part #17493

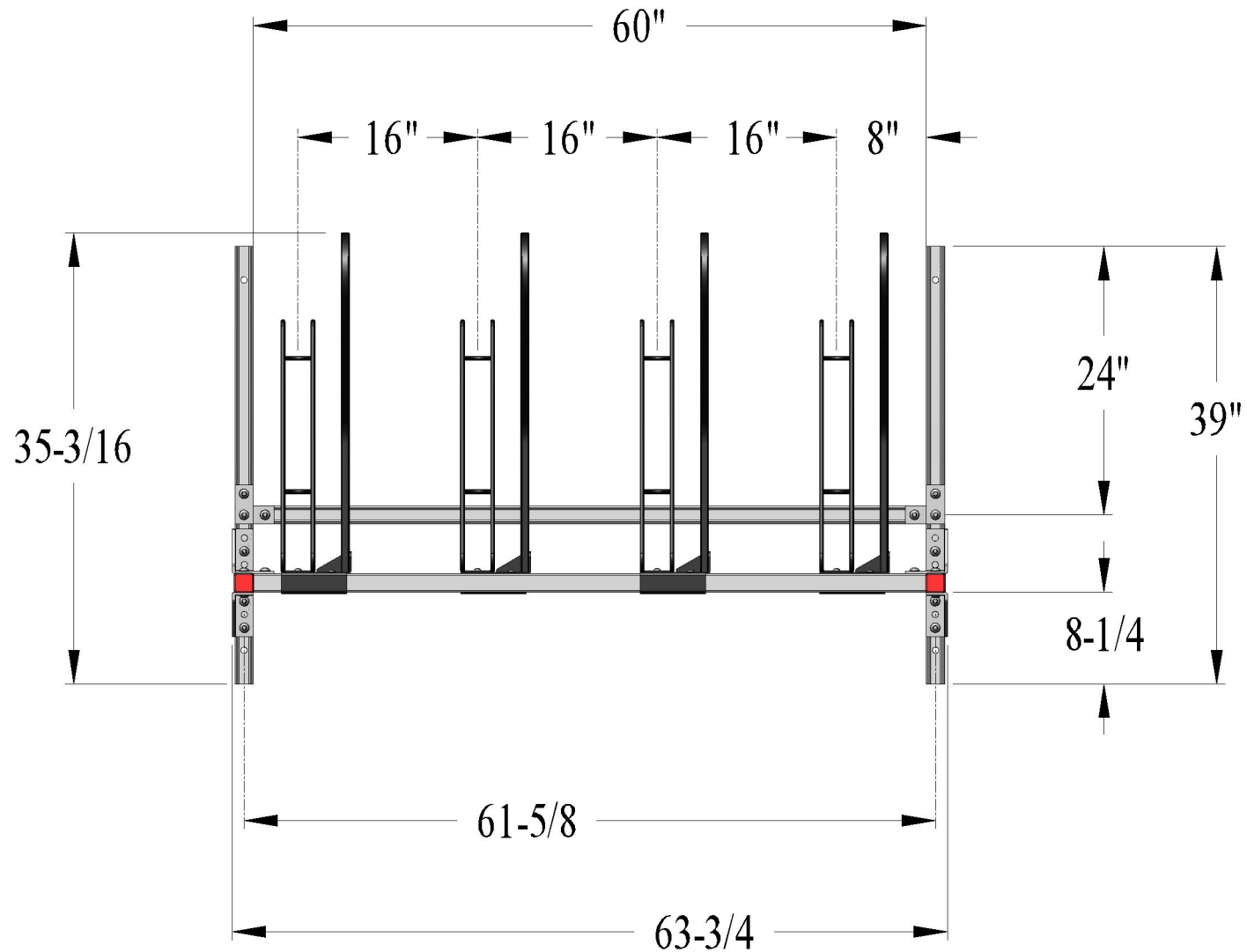


Bike Stall {4-Bike} U-Strut  
Strut Base {Straight} Master {Side} Dim's

Part #17493

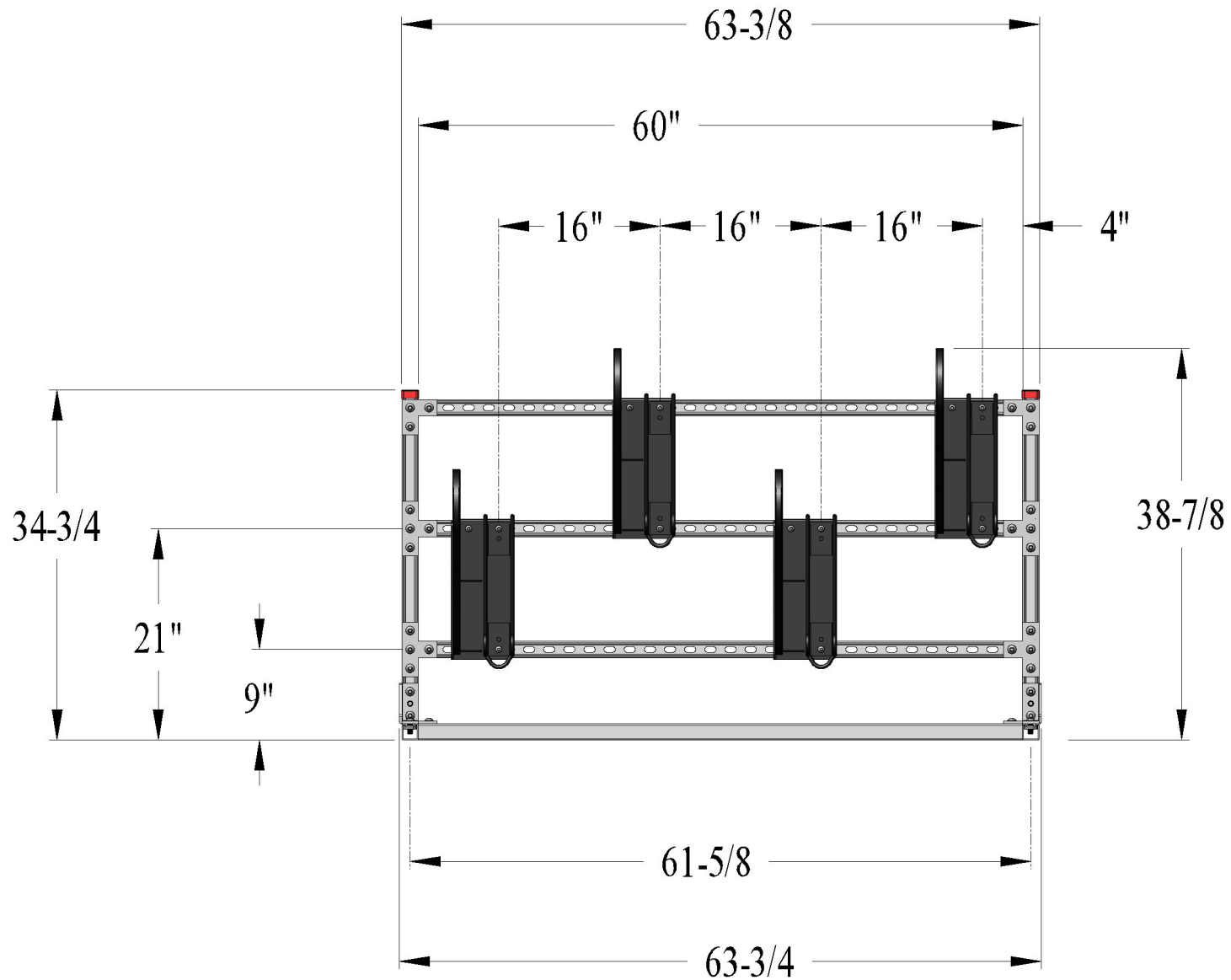


Bike Stall {4-Bike} U-Strut  
Strut Base {Straight} Assembly {Iso}



Bike Stall {4-Bike} U-Strut  
Strut Base {Straight} Assembly {Top} Dim's

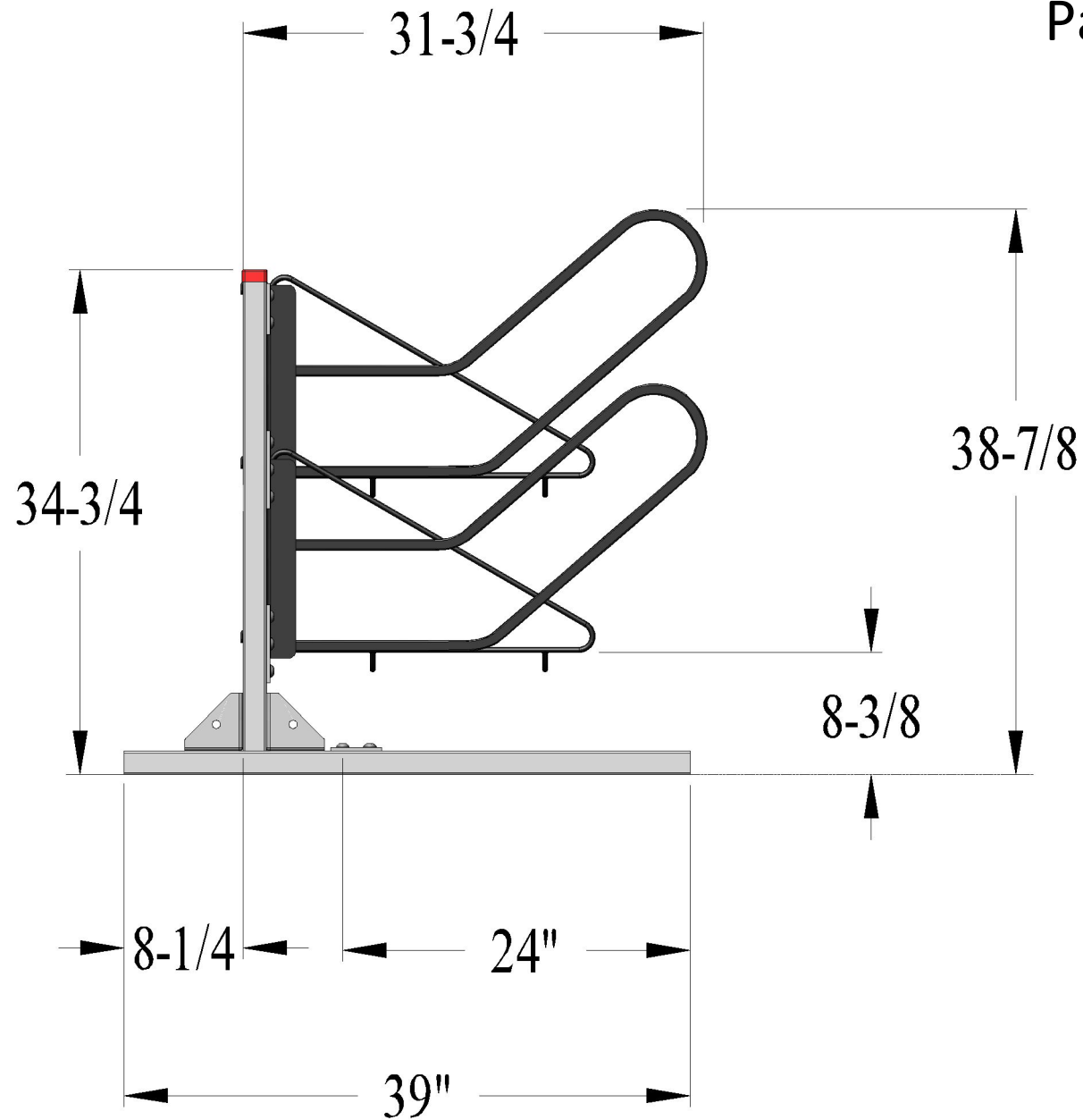
Part #17493



Bike Stall {4-Bike} U-Strut  
Strut Base {Straight} Assembly {Front} Dim's



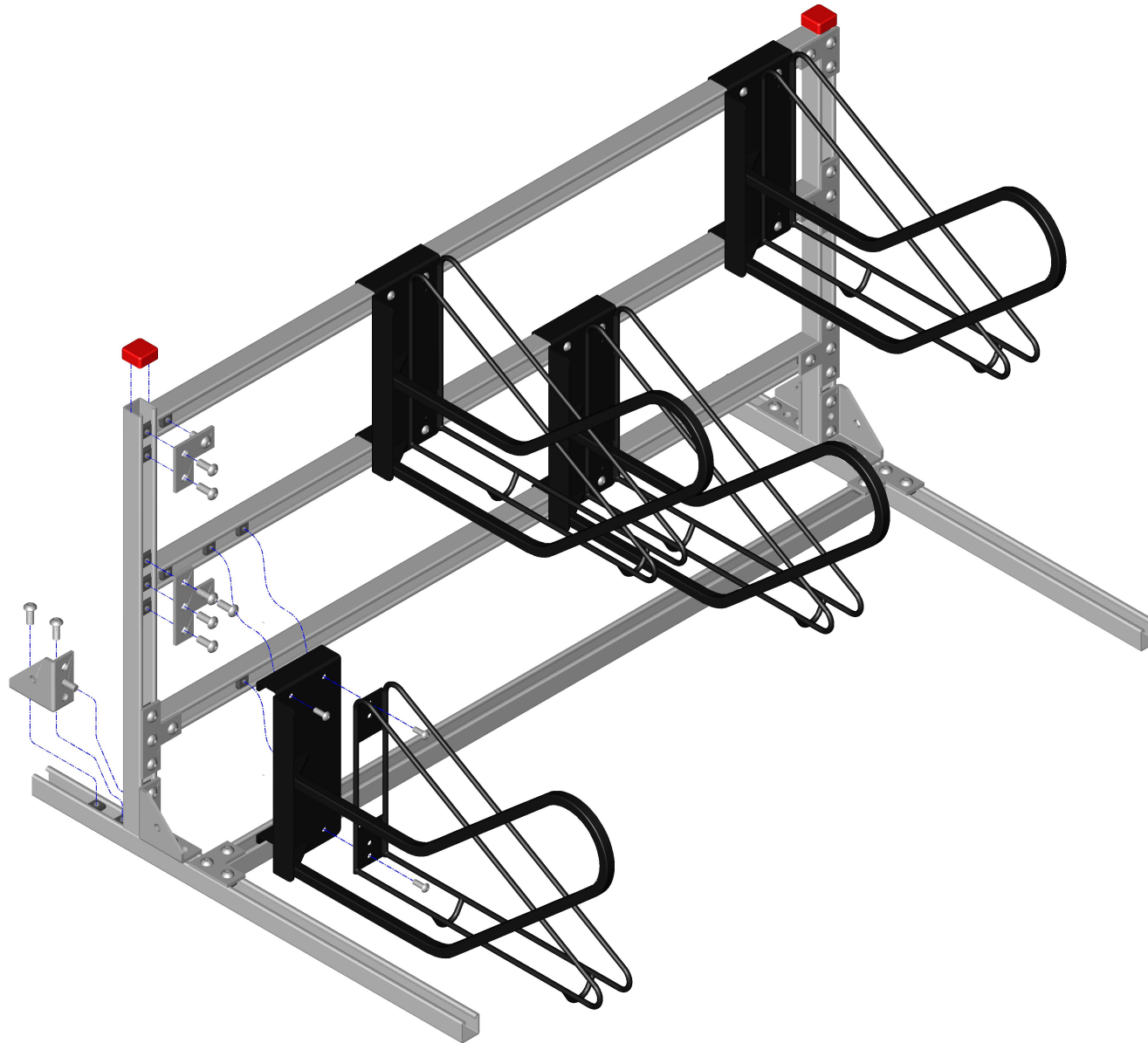
Part #17493



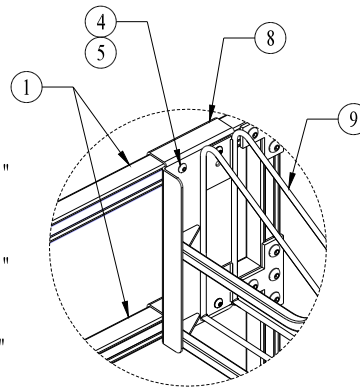
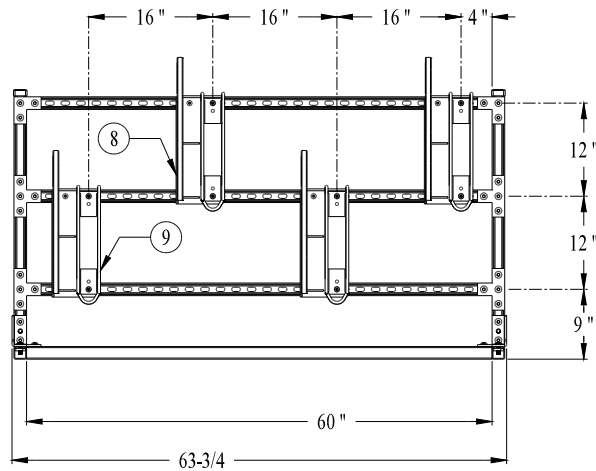
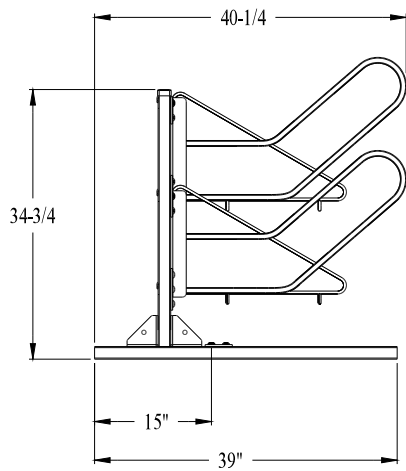
Bike Stall {4-Bike} U-Strut  
Strut Base {Straight} Assembly {Side} Dim's



Part #17493

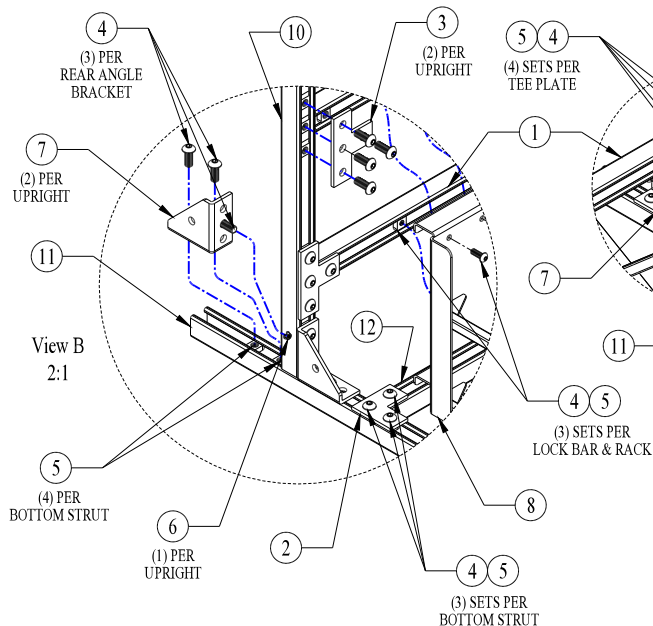


Bike Stall {4-Bike} U-Strut  
Strut Base {Straight} Assembly {Exploded}

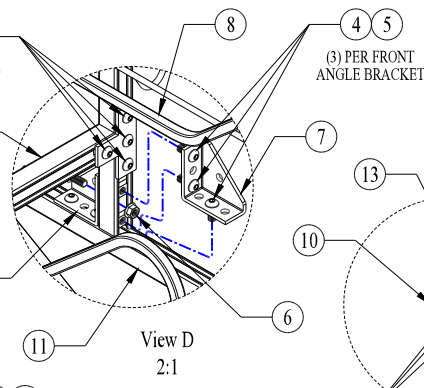


View C  
2:1

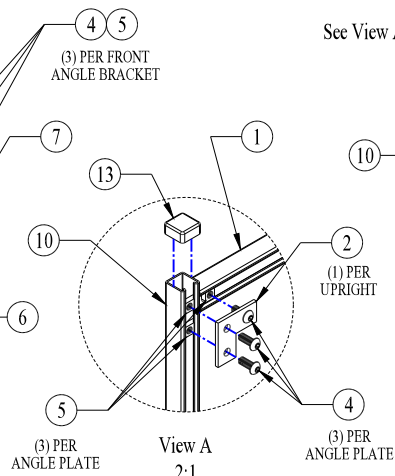
ITEM	QTY	DESCRIPTION	PART NO.
1	3	U-STRUT {SLOTTED} SPANNER x 60" LG.	17520
2	4	ANGLE PLATE	17528
3	4	TEE PLATE	17524
4	52	3/8-16NC x 1" LG. {TORX} S/S BHCS	12724
5	50	3/8-16NC U-STRUT {ZINC} NUT	17525
6	2	3/8-16NC SERRATED {ZINC} FLANGE NUT	19567
7	4	ANGLE BRACKETS	17490
8	4	LOCK BAR WELDMENT	17549
9	4	WALL-RACK {BLACK} POWDER COATED	17502
10	2	U-STUT {PLAIN} UPRIGHT x 33" LG.	17487
11	2	U-STRUT {PLAIN} BOTTOM x 39" LG.	17523
12	1	U-STRUT {PLAIN} SPANNER x 60" LG.	17587
13	2	U-STRUT {PLASTIC} END CAP	17530



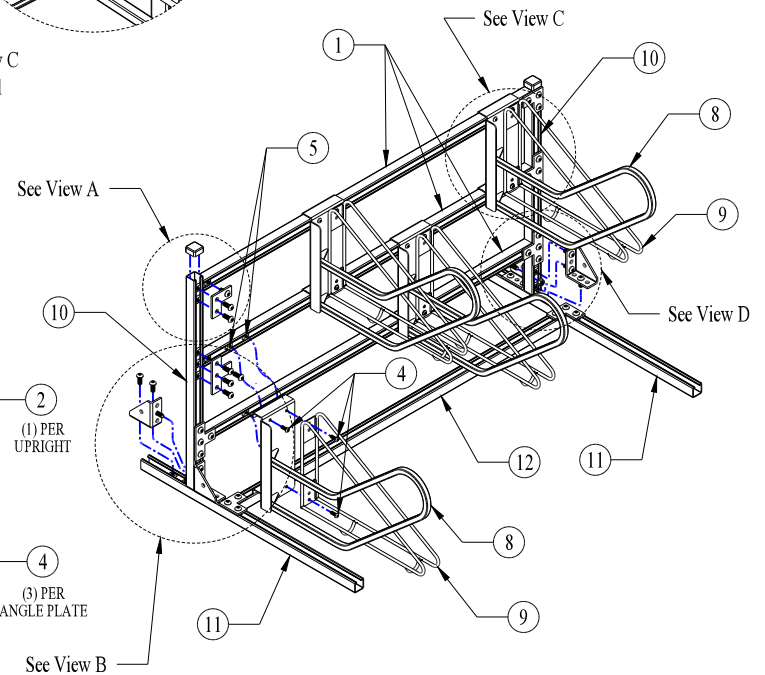
View B  
2:1



View D  
2:1



View A  
2:1



NOTES:

1. ALL MATERIALS MUST BE CLEAN AND FREE OF MILL LUBRICATION
2. ANY BLEMISHES OR RUST WILL NOT BE ALLOWED ON COMPLETED PRODUCTS
3. FOR "TAMPERPROOF" FASTENERS USE 3/8-16NC S/S TORX {PINNED} BHCS (17590) IN PLACE OF ITEM #4

**SINGLE-SIDED  
HIGH DENSITY**

SHEET 1 OF 1	B	REDRAWN WITH CHANGES	10/31/13
	A	RELEASE FOR PRODUCTION	11/28/12
	REV	DESCRIPTION	DATE
	WALL-RACK {CORRAL} U-STRUT {STRAIGHT}		
TOLERANCES UNLESS OTHERWISE SPECIFIED: +/-		<b>Cycle Safe</b> 5211 CASCADE RD SE, SUITE 210 GRAND RAPIDS, MI 49546 www.cyclesafe.com	
.X	.030		
.XX	.010		
.XXX	.005		
ANGLE	1/2°	APPROVED DATE GERI MOHR 11/28/12 CHECKED 03/07/13	
REV	D	STRUT BASE (4-BIKE) ASSEMBLY	17493